

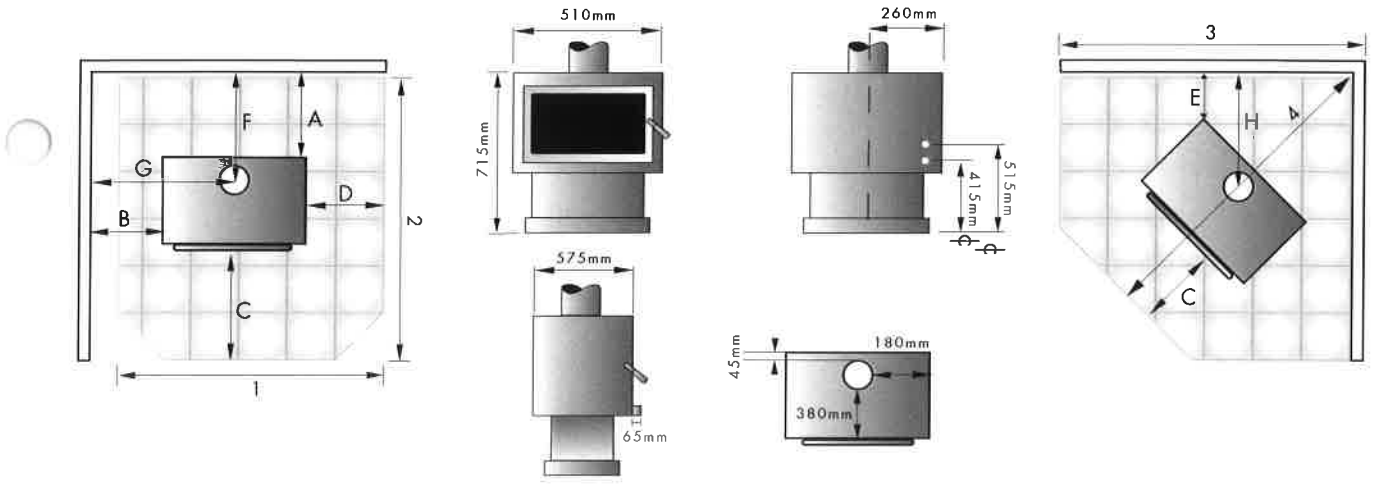


Tuscany

RURAL MODEL

SPECIFICATIONS

This is not a 'Clean Air' woodfire model. This woodfire can only be installed into properties of two hectares or more.



Minimum Clearance to Combustibles in Millimetres AS/NZS2918 : 2001

New Zealand	A	B	C	D	E	F	G	H
With flue shield	200	750	300	175	350	320	930	625
Without flue shield	600	800	300	175	500	720	980	725

Floor Protector Dimensions

1	2	3	4
860	1075	1330	1620
860	1475	1475	1825

Floor Protector Requirements

The Milan Tuscany rural model requires a floor protector of non-combustible materials. The floor protector must extend under the heater, a minimum of 300mm in front of the door glass, and 175mm to either side of the heater. The minimum floor protector size for a wall setting installation is 1075mm deep and 860mm wide.

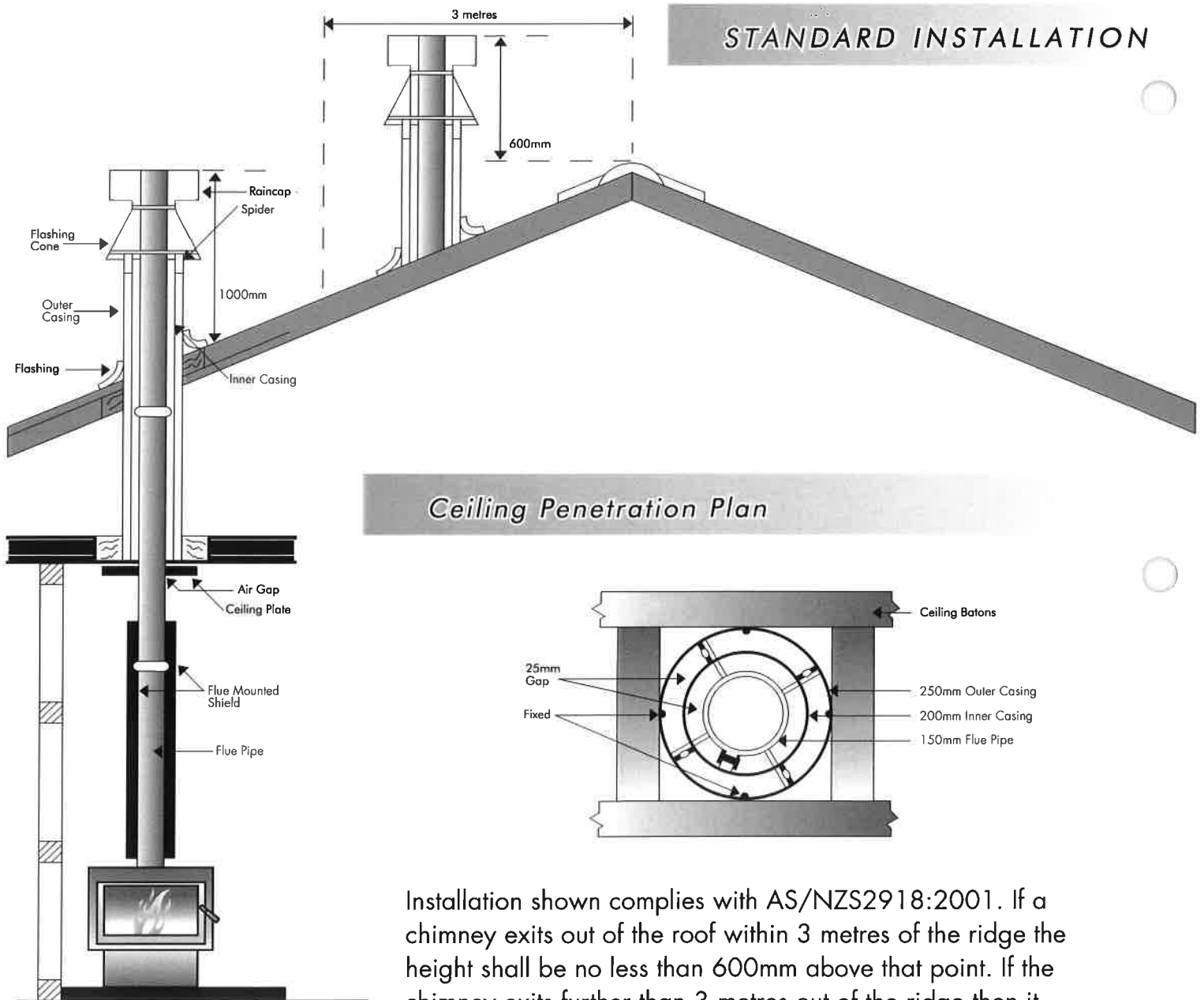
Seismic Requirements

The appliance and the floor protector shall be mechanically fixed to the floor itself. A provision has been made at the rear of the pedestal to fix through the two holes through floor protector and floor.

Clearance Requirements

The Milan Tuscany rural model, when installed according to these instructions, complies with the provisions of AS/NZS2918 : 2001 Appendix B - "Thermal Testing of Installation Clearances". The minimum clearances to combustibles may be reduced if the combustibles are shielded with an approved shielding material. Refer to AS/NZS2918 : 2001 for suitable shielding materials and appropriate clearance reduction factors.

Milan Heating Systems Ltd



Installation shown complies with AS/NZS2918:2001. If a chimney exits out of the roof within 3 metres of the ridge the height shall be no less than 600mm above that point. If the chimney exits further than 3 metres out of the ridge then it should project 1000mm above roof penetration. No part of the building or any adjacent building may be in or above a circular area of horizontal radius of 3 metres from the flue exit.

For optimum performance overall flue length should be between 4.2m and 4.8m and have no bends. Flue pipes should be 150mm in diameter. Due to factors such as roof pitch, predominant winds, nearby obstructions (i.e. trees, buildings), and fire placement, flue lengths, hats and cowls may vary.